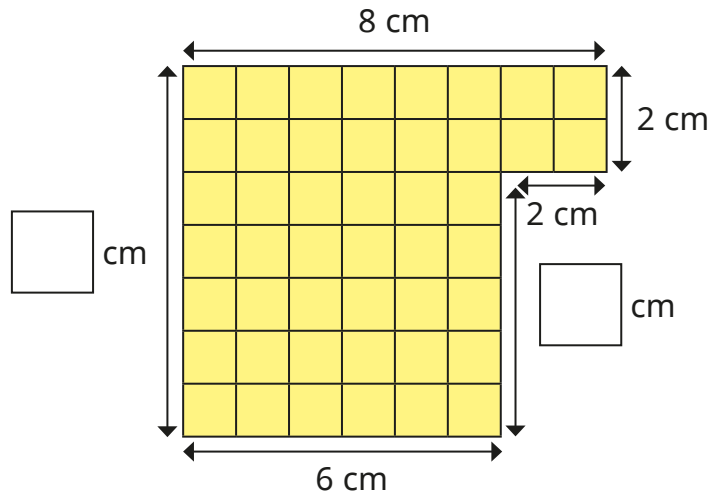
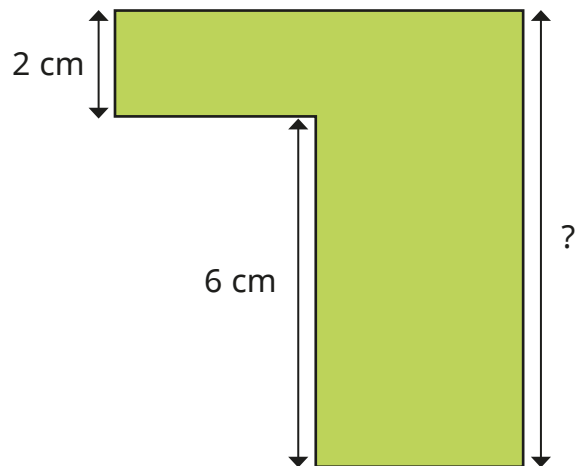


Find unknown lengths in rectilinear shapes

- 1 Work out the unknown lengths.



- 2 a) Circle the calculation needed to work out the unknown length.



$6 - 2$

$2 + 6$

2×6

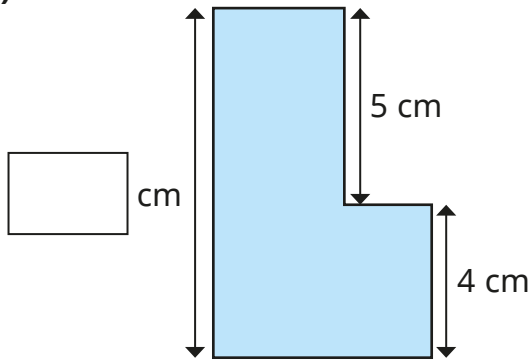
- b) Work out the unknown length.

cm

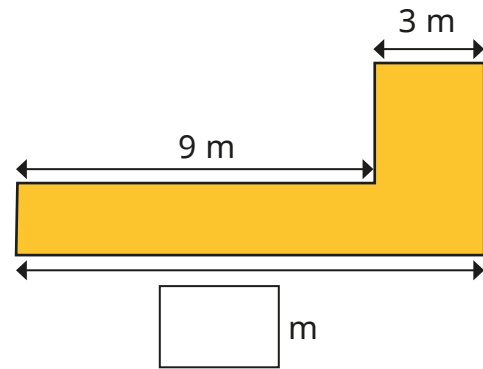
3

Work out the unknown lengths.

a)

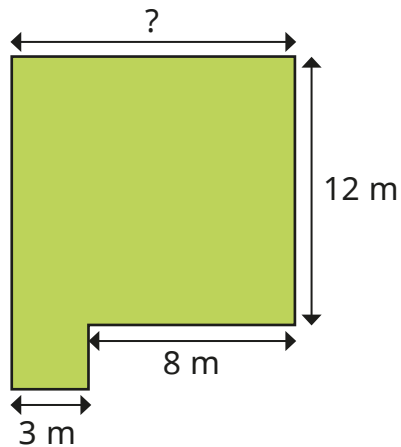


b)



4

a) Circle the calculation needed to work out the unknown length.



$$3 + 8 + 12$$

$$8 - 3$$

$$3 + 8$$

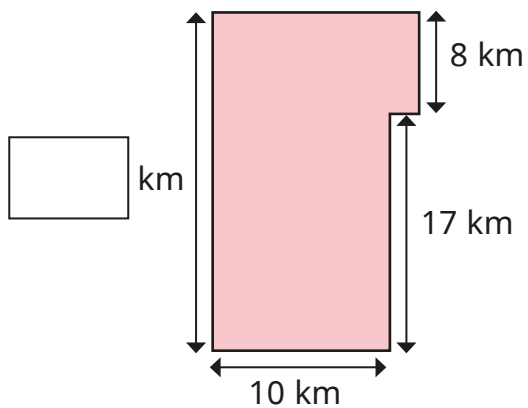
b) Work out the unknown length.



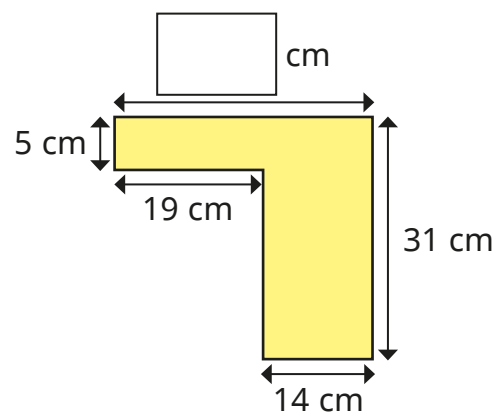
5

Work out the unknown lengths.

a)

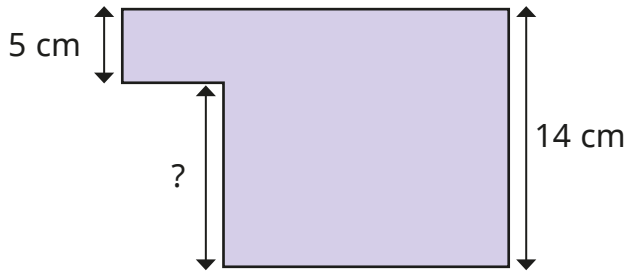


b)





6 Whitney is working out the unknown length in the rectilinear shape.



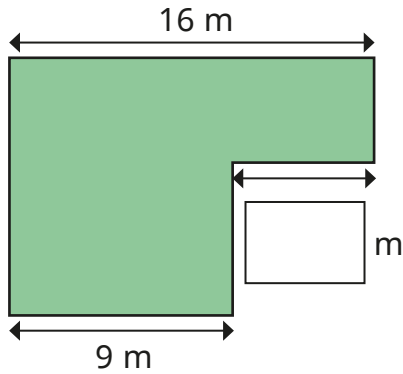
To find the unknown length, I need to work out $14 + 5$



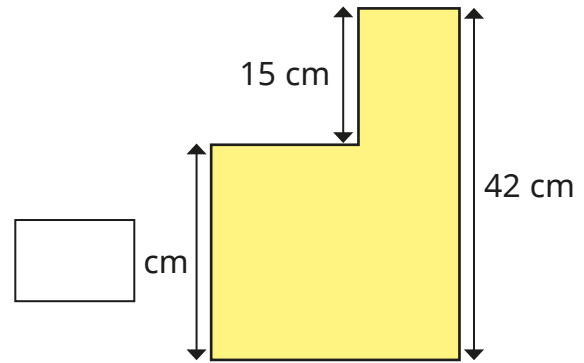
Explain the mistake that Whitney has made.

7 Work out the unknown lengths.

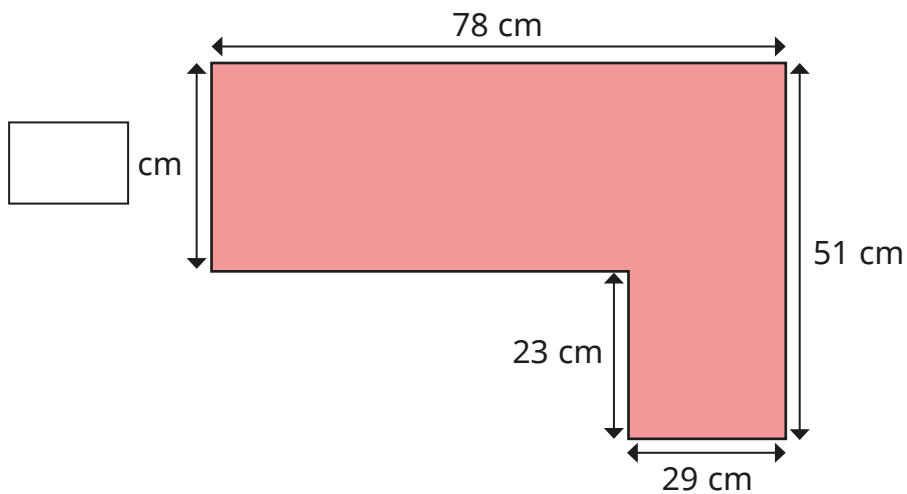
a)



b)



8 Work out the unknown length.

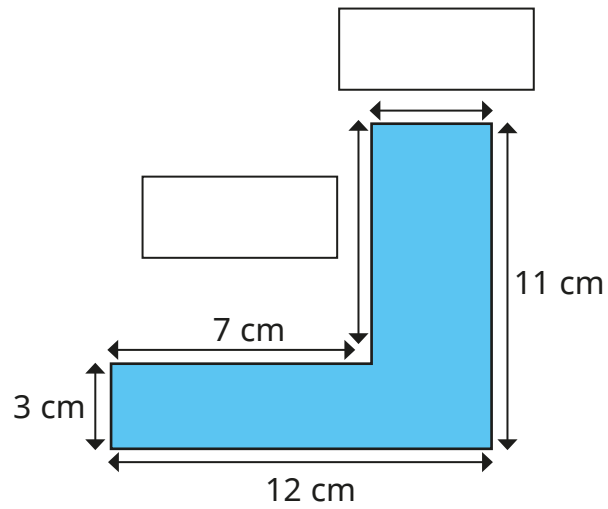


9

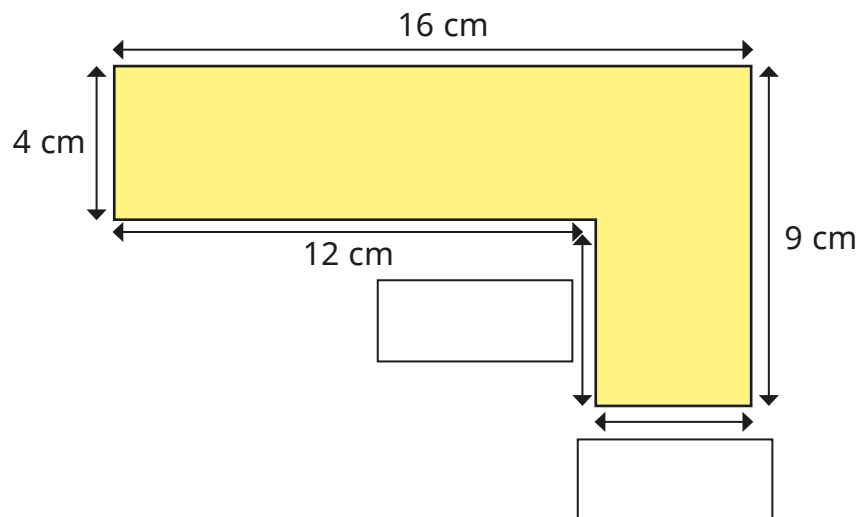
Work out the unknown lengths.

Give units with your answers.

a)



b)



c)

